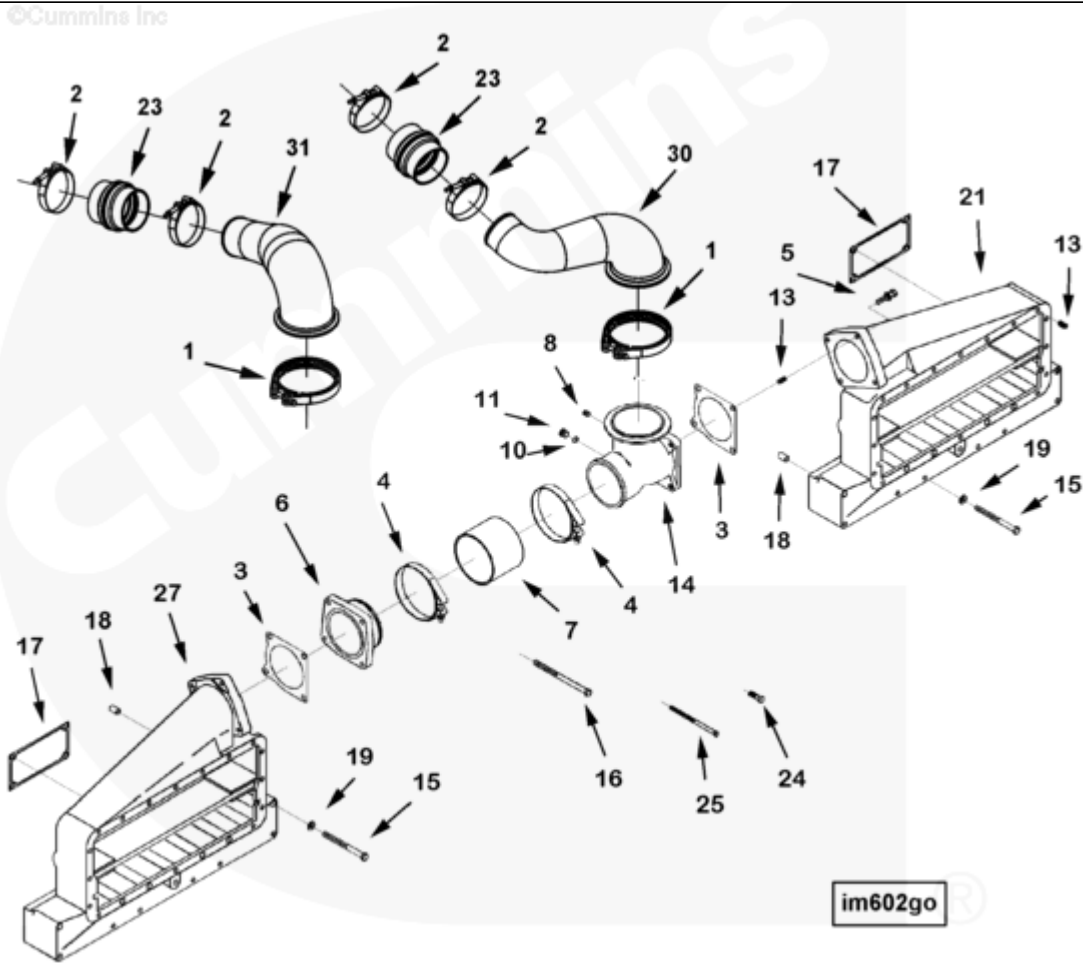




Parts Catalog - Option Detail

Electronic Parts Catalog - Option Detail				
Option	Group	Graphic	Film Card	Date
IM6051-09	10.01	im602go	K38	03-JUN-03
Engines	GTA38, K38, KTA38GC CM558, QSK38 CM2150 K106, QSK38 CM2150 MCRS, QSK38 CM850 MCRS			



[SMALL](#) | [MEDIUM](#) | [LARGE](#)

Cart	Ref No	Part Number	Part Description	Required	Remarks
<input type="button" value="View My Cart"/>					
		IM6051-09	Intake Manifold		LTA type air intake...(More)
					manifolds.
					For use with
					Less air compressor

					applications, or with
					compressor air supply
					provided by the customer (for
					KTA38-M2) with dual stepped
					timing control.
<input type="checkbox"/>	1	3633805	V Band Clamp	2	
<input type="checkbox"/>	2	3063809	T-Bolt Clamp	4	3 3/4 in.
<input type="checkbox"/>	3	3047665	Connection Gasket	4	
<input type="checkbox"/>	4	3633975	T-Bolt Clamp	4	4 3/4 in.
<input type="checkbox"/>	5	3065723	Captive Washer Cap Screw	16	3/8 - 16 X 1 3/4 in.
<input type="checkbox"/>	6	3066666	Air Intake Connection	2	
<input type="checkbox"/>	7	3067371	Plain Hose	2	
<input type="checkbox"/>	8	3628605	Pipe Plug	8	1/4 - 18.
<input type="checkbox"/>		3037536	Threaded Plug	5	9/16 - 18 UNF
<input type="checkbox"/>	10	3037537	O-Ring Seal	5	
	11	3040813	Threaded Plug	5	9/16 - 18 UNF
<input type="checkbox"/>		3072040	Air Crossover Connection	2	
<input type="checkbox"/>	13	67184 B	Threaded Insert	20	
	14	3629545	Air Crossover Connection	2	
<input type="checkbox"/>	15	3976891	Hexagon Head Cap Screw	14	
<input type="checkbox"/>	16	3976890	Hexagon Head Cap Screw	14	
<input type="checkbox"/>	17	206277	Intake Manifold Gasket	12	
<input type="checkbox"/>	18	3014304	Rectangular Ring Seal	24	
<input type="checkbox"/>	19	3036460	Spring Washer	46	
<input type="checkbox"/>		3393153	Air Intake Manifold	2	
<input type="checkbox"/>	13	67184 B	Threaded Insert	16	
	21	3866839	Air Intake Manifold	1	
<input type="checkbox"/>	23	3636437	Hump Hose	2	
<input type="checkbox"/>	24	3976891	Hexagon Head Cap Screw	12	
<input type="checkbox"/>	25	69621	Hexagon Head Cap Screw	2	3/8 - 16 X 5 1/2 in.

<input type="checkbox"/>		3393154	Air Intake Manifold	2	
<input type="checkbox"/>	13	67184 B	Threaded Insert	32	
	27	3866840	Air Intake Manifold	1	
<input type="checkbox"/>	30	3635073	Air Crossover Connection	1	
<input type="checkbox"/>	31	3897538	Air Crossover Connection	1	

© 2019 Cummins Inc., Box 3005, Columbus, IN 47202-3005 U.S.A.
Terms of Use and Disclaimers | Recommended System Requirements
Need Assistance? Please click on the Contact Us button in the top right corner of any page.